

Disassembly of the original parts

1. Loosen the screws (3) and remove the voltage regulator (8) (disconnect the cable).
2. Loosen the screws (1) and remove the original bracket (9)

Fitting the "Racing" Bug spoiler

1. Fix the voltage regulator (8) to the new bracket with the screws supplied (2x M6x35) and reconnect the cables.

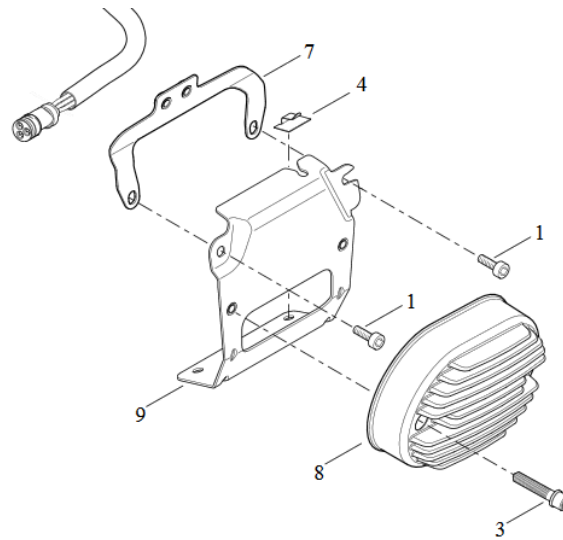
Tightening torque: 10 - 15 Nm

2. Secure the bracket to the motorbike with the original screws (1).

Tightening torque: 20 - 25Nm

3. Mount the front spoiler to the bracket with the supplied screws (4x M6x16).

Tightening torque: 8 - 11 Nm



We recommend using a medium-strength screw lock (e.g. LOCTITE 243, blue) for all screws.



Abb. 1 – mounted Bug spoiler



Abb. 2 – Bug spoiler Racing