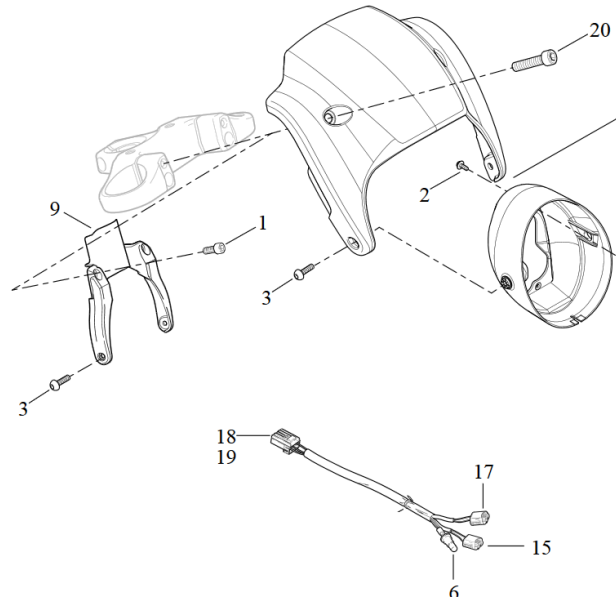


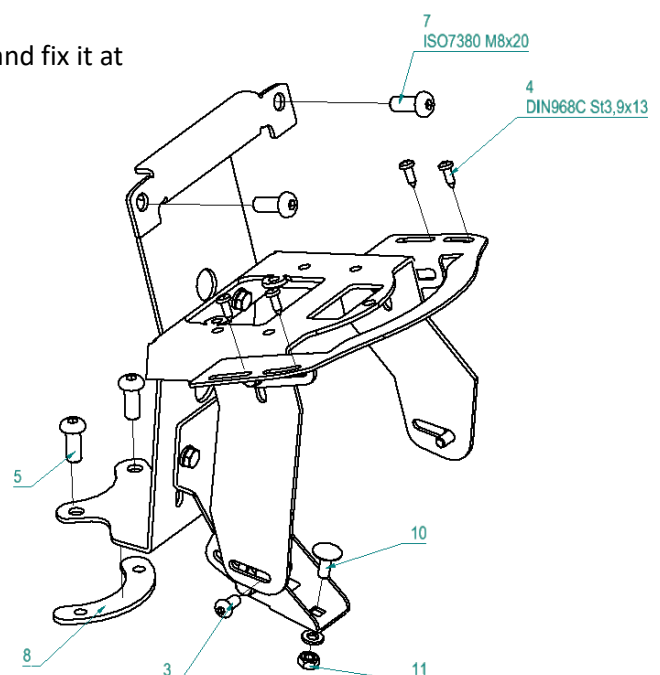
Dismantle original headlight and mask

1. Loosen screws (3)
2. Disconnect plug (15,17) and unscrew parking light (6), remove headlight
3. Loosen screws (1 / 20) and remove bracket (9) / mask (V-Rod / Night Rod).



Fitting the "Special" headlight mask

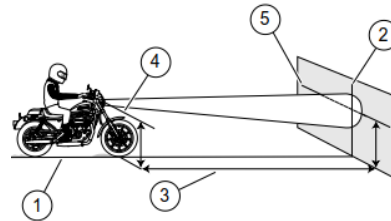
1. Fasten the bracket to the motorbike with the screws (7).
Tightening torque: 25 - 30Nm
2. Fix with the retaining plate (8) and the screws (5) at the bottom of the triple clamp.
3. Pull the cables through the opening in the bracket and plug them into the headlamp.
4. Secure the headlamp with the screws (3)
5. Fasten the mask to the holder with the screws (4) and fix it at the bottom with the screw (10) and nut (11).



! Note !

After mounting, it is necessary to readjust the luminous range:

1. Horizontal line
2. Vertical line
3. 7,6m
4. Height of main beam lamp
5. 53,3mm below height of main beam lamp



We recommend using a medium-strength screw lock (e.g. LOCTITE 243, blue) for all screws.



Abb. 1 – mounted headlamp mask



Abb. 2 – Headlamp mask "Special" with holder