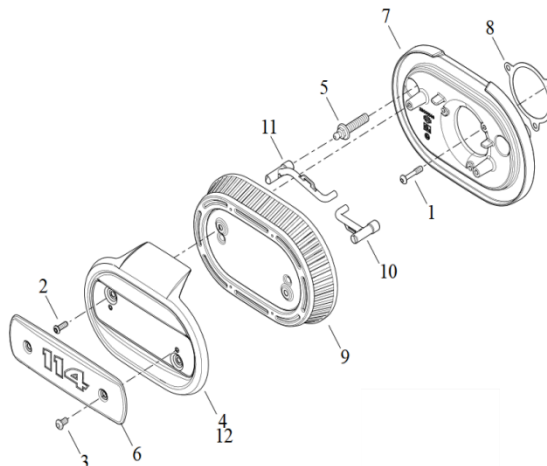


Dismantle original air filter cover

1. Loosen screws (3) and remove emblem (6).
2. Loosen screws (2) and remove air filter cover (12).



Fitting the "Racing" air filter cover

1. fasten the air filter cover with the screws (2).
Tightening torque: 4 - 7Nm

We recommend using a medium-strength screw lock (e.g. LOCTITE 243, blue) for all screws.



Abb. 1 - Mounted air filter cover



Abb. 2 – Air filter cover "Racing"