

Preparation for mounting

FXDR114:

Loosen the upper and lower bolts (Pos.8, Abb.1) and remove the original radiator cowling from the motorbike.

Keep the lower screws, they are needed for the assembly.

Breakout:

Remove the plastic stubble (Pos.8,Abb.1)

Mounting the radiator cowling

1. fix the upper bracket (2) with the original screws (6).

Tightening torque: 60 - 65Nm

2. fix the lower holder (Pos.1, Abb.2) with the screws.

Breakout: use screws supplied (Pos.5, Abb.2)

FXDR114: use original screws

Tightening torque: 25 - 30Nm

3. add washers (4/7, Abb.2) and fix the radiator cowling with the screws (3, Abb.2)

Tightening torque: 5 - 10Nm

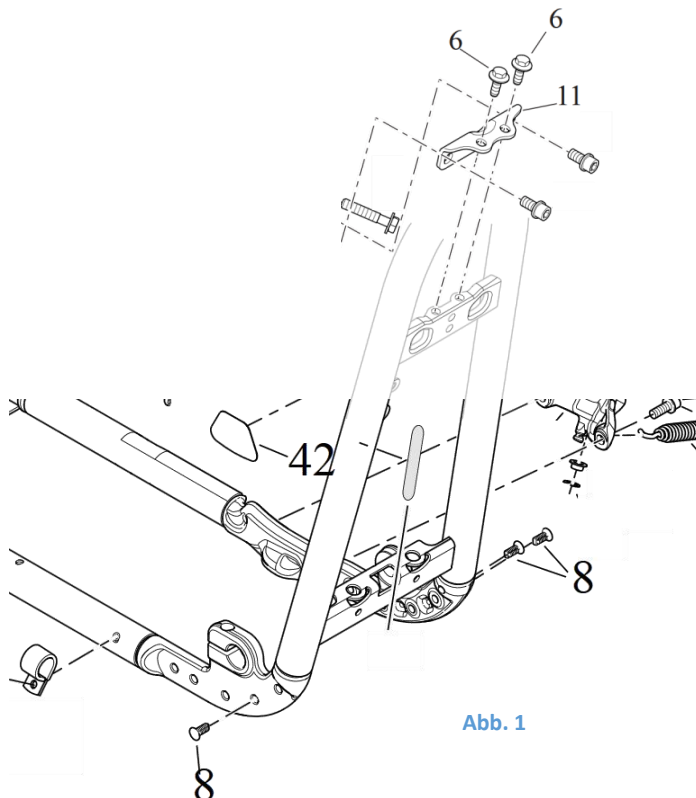
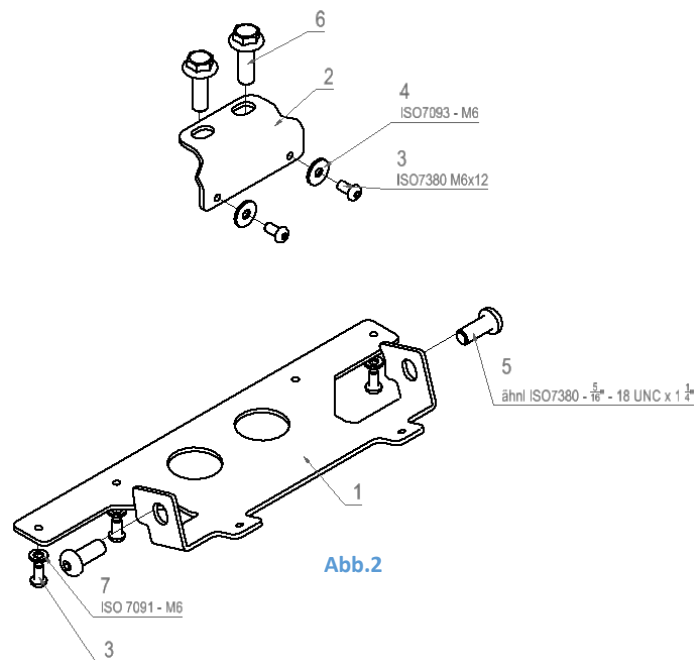


Abb. 1



We recommend using a medium-strength screw lock (e.g. LOCTITE 243, blue) for all screws.



Abb. 3 – Mounted radiator grille



Abb. 4– Radiator cowling incl. mounting material