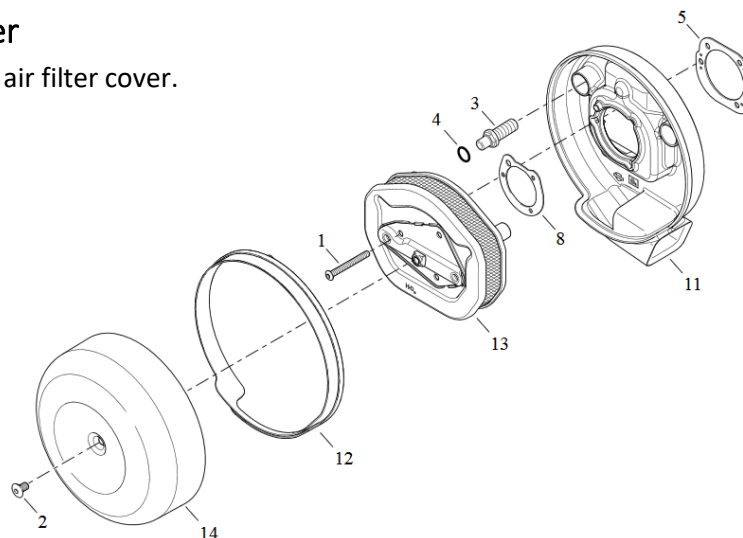


Dismantle the original air filter cover

1. Loosen screw (2), remove air filter cover (14).
2. 2. remove the seal (12) from the air filter cover.

Fitting the "Special" air filter cover

1. place the gasket (12) on the "slotted" air filter cover.
 2. mount air filter cover with screw (2).
- Tightening torque: 4 to 7Nm



We recommend using a medium-strength screw lock (e.g. LOCTITE 243, blue) for all screws.



Abb. 1 – Mounted air filter cover



Abb. 2 – air filter cover „Slotted“