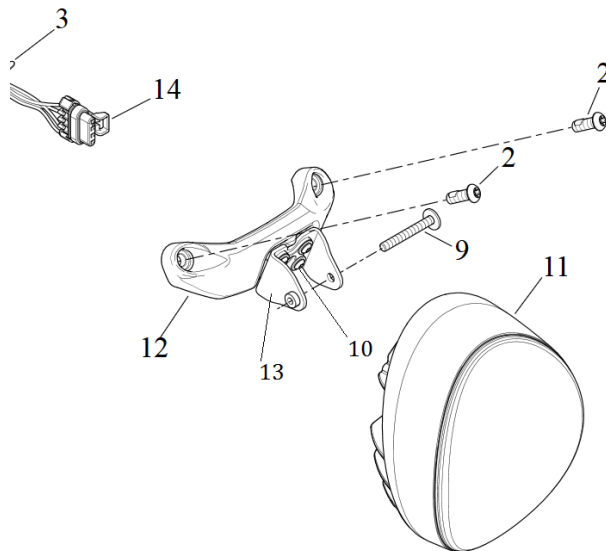


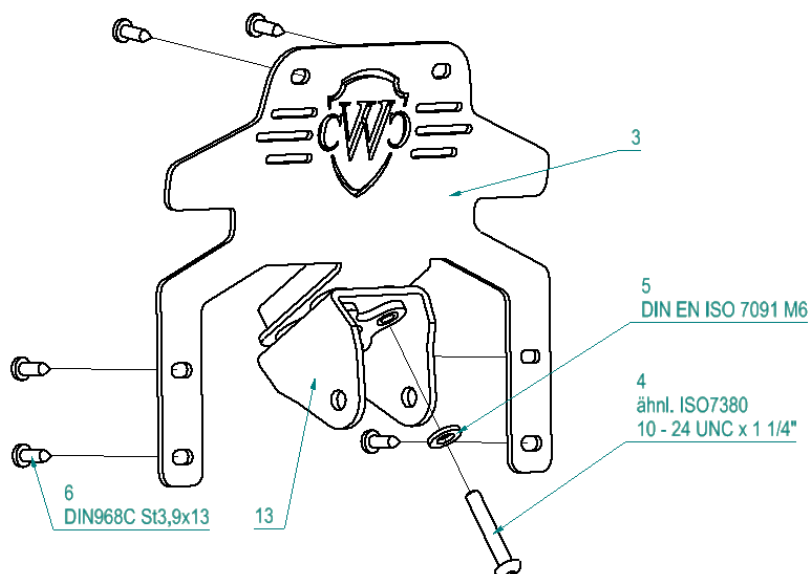
Dismantle the original headlamp

1. Disconnect plug (14) from headlight (11).
2. Loosen screw (9) and remove headlamp.
3. loosen screws (10) and remove lower bracket (13).



Fitting the "V-Rod" headlamp mask

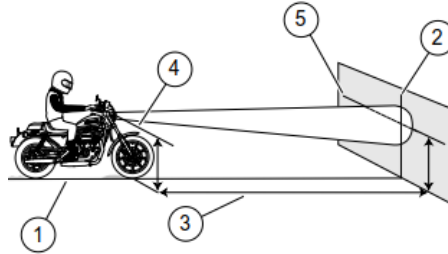
1. Secure the Cult-Werk bracket between the upper (12) and lower bracket (13) with the screws (4).
2. Refit the headlamp (11) with the screw (9) and connect the plug (14).
3. Screw the screws (6) supplied into the holes provided in the mask and secure it to the holder (3).



! Note !

After mounting, it is necessary to readjust the headlight range:

1. Horizontal line
2. Vertical line
3. 7,6m
4. height of main beam lamp
5. 53.3mm below height of main beam lamp



We recommend using a medium-strength screw lock (e.g. LOCTITE 243, blue) for all screws.



Abb. 1 – mounted headlamp mask



Abb. 2 – Headlamp mask "V-Rod" with holder