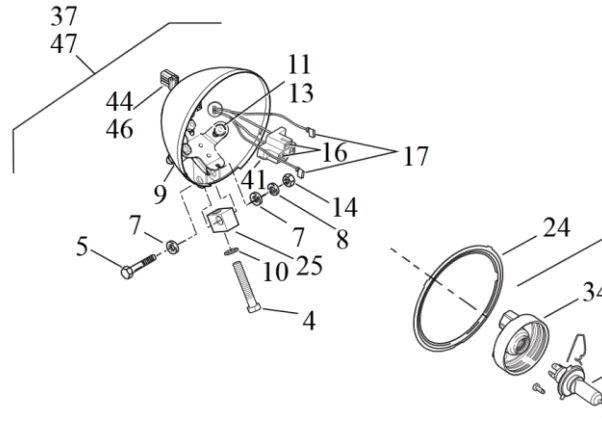


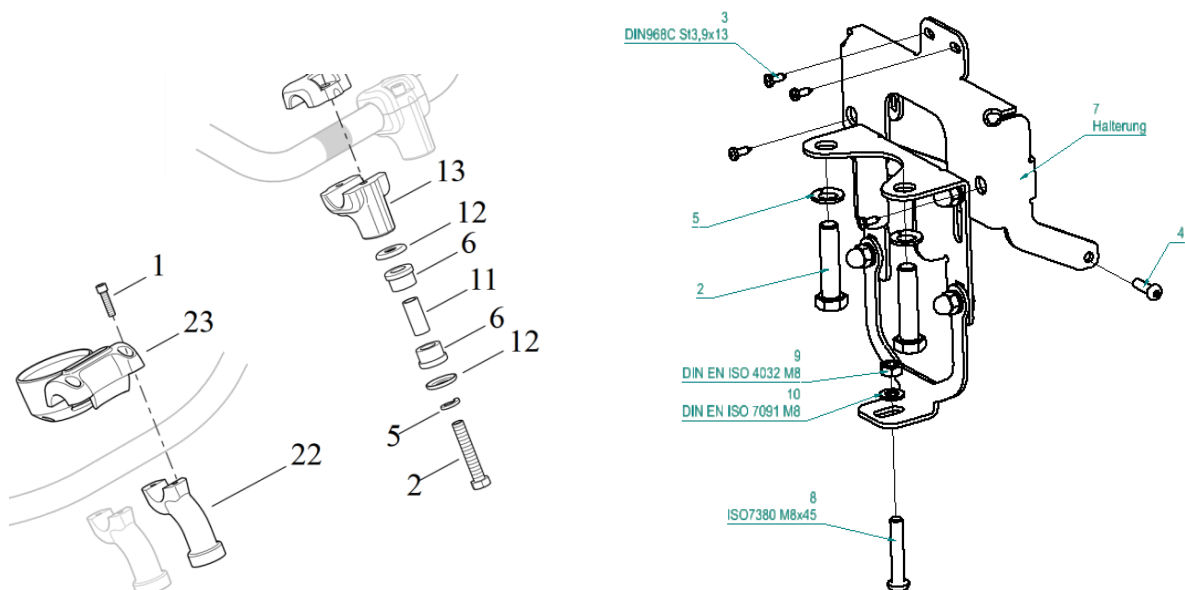
## Dismantle the original headlamp

1. disconnect plug (46)
2. loosen screw (4) and remove entire headlamp (37) and mounting block (25).



## Fitting the "CVO" headlight kit

1. Loosen the screws (2) and dismantle the riser (22).
2. Refit the bracket (7) together with the riser (22).  
Tightening torque: 16 - 21Nm
3. fix the bracket (7) additionally with bolt (8) and nut (9) at the original headlamp position  
Tightening torque: 10 - 15Nm
4. Connect the cables to the new headlamp.
5. Secure the new headlamp to the bracket (7) with the screws (4).
6. Turn the screws (3) supplied into the plastic parts provided on the mask and use them to fasten it to the bracket (7).

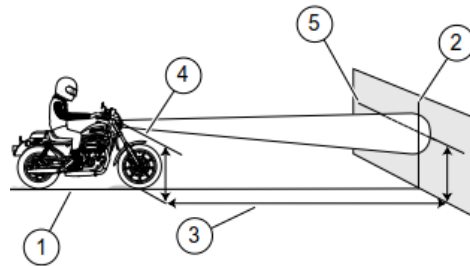


## **! Note !**

When fitting the new headlamp, it may be necessary to make changes to the original wiring harness.

After fitting, it is necessary to readjust the headlight range:

1. Horizontal line
2. Vertical line
3. 7,6m
4. height of main beam lamp
5. 53.3mm below height of main beam lamp



We recommend using a medium-strength screw lock (e.g. LOCTITE 243, blue) for all screws.



Abb. 1 – mounted headlight kit



Abb. 2 – Headlight kit "Night-Rod" with holder