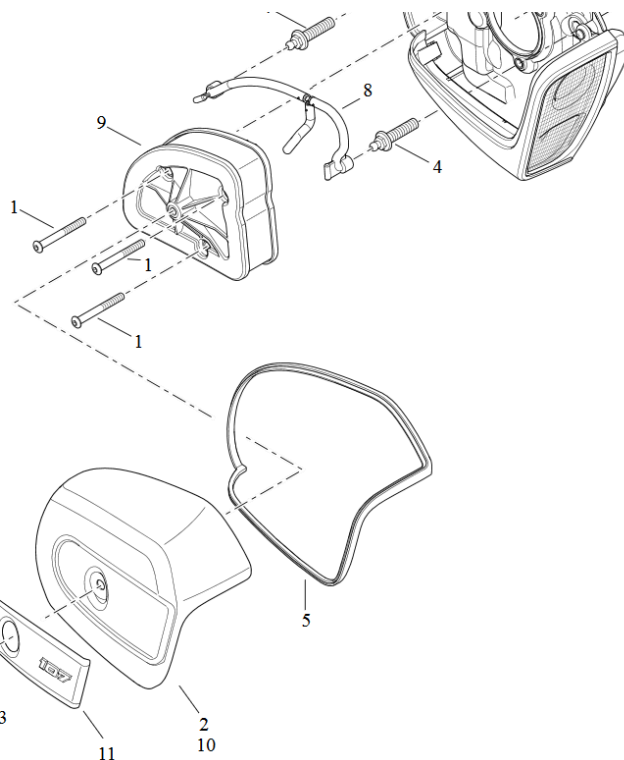


## Dismantle the original air filter cover

1. Loosen screw (3), remove air filter cover (10+11).
2. remove gasket (5) from air filter cover.



## Fitting the "Special" air filter cover

1. place gasket (5) on air filter cover "Special"
  2. mount air filter cover with supplied screw (similar to ISO7380 5/16" - 18UNC 1")
- Tightening torque: 4 to 7Nm

We recommend using a medium-strength screw lock (e.g. LOCTITE 243, blue) for all screws.



Abb. 1 – Mounted air filter cover



Abb. 2 – air filter cover „Special“