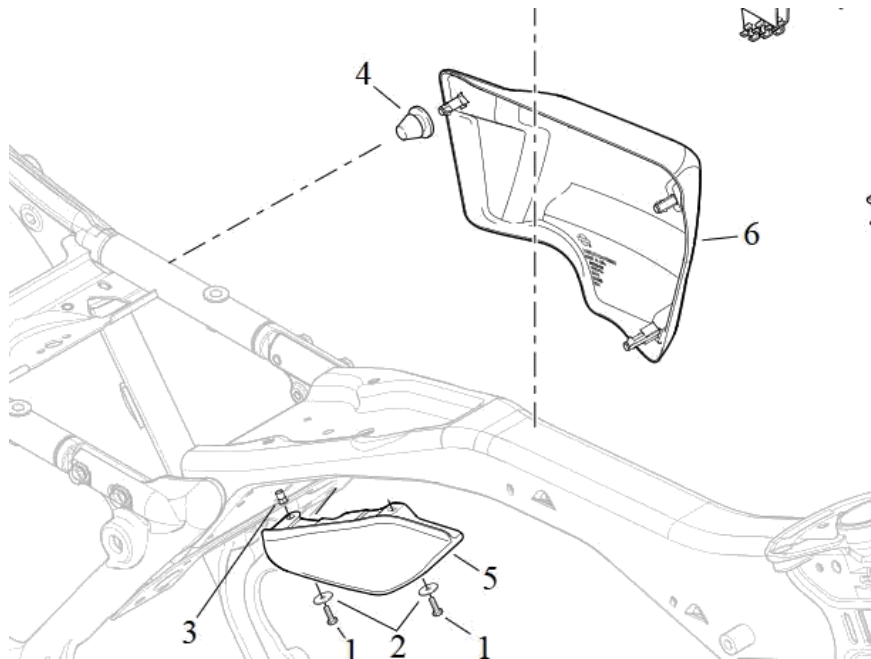


Dismantle original side cover

1. Remove the cases of the Touring. 2.
2. pull the original side covers (6) out of the fastening rubbers (5).



Fitting the Custom side cover set

1. press the new side covers with the plastic pegs into the original fastening points (5).
2. put the cases back on and screw them tight.



Abb. 1 - mounted side cover