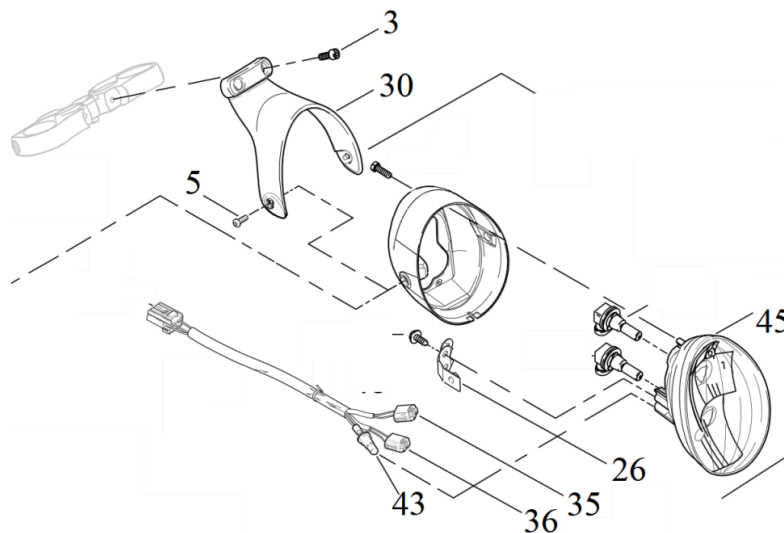


## Dismantle original headlamp

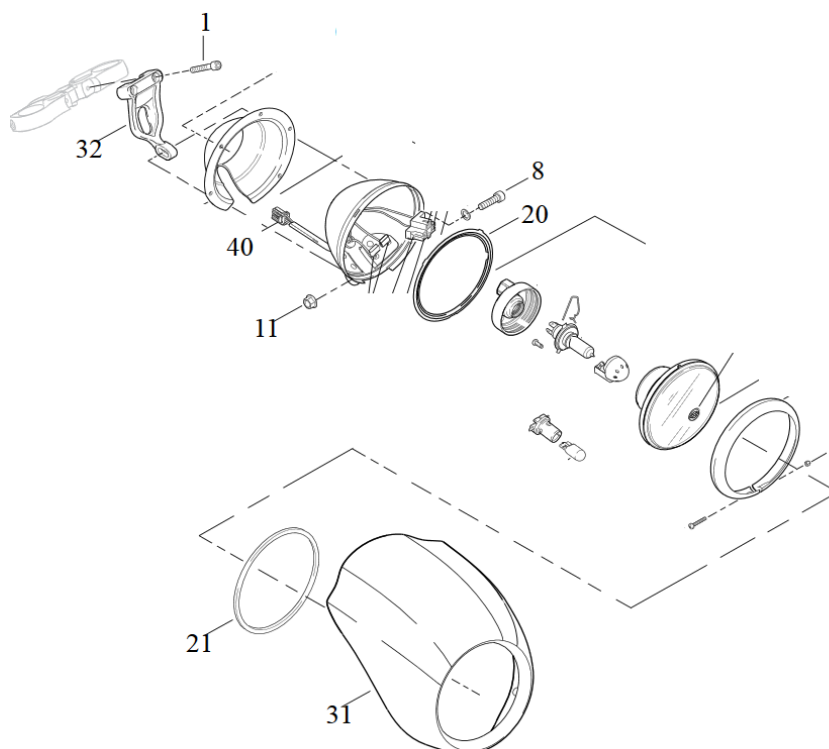
### V-Rod

1. Loosen screws (5)
2. Disconnect plugs (35,36) and unscrew bulb (43), remove headlamp.
3. Loosen screws (3) and remove holder (30).



### Night Rod

1. Loosen screw (8) and nut (11).
2. Disconnect plug (40) and remove headlight and mask.
3. Loosen screws (1) and remove original holder (32).



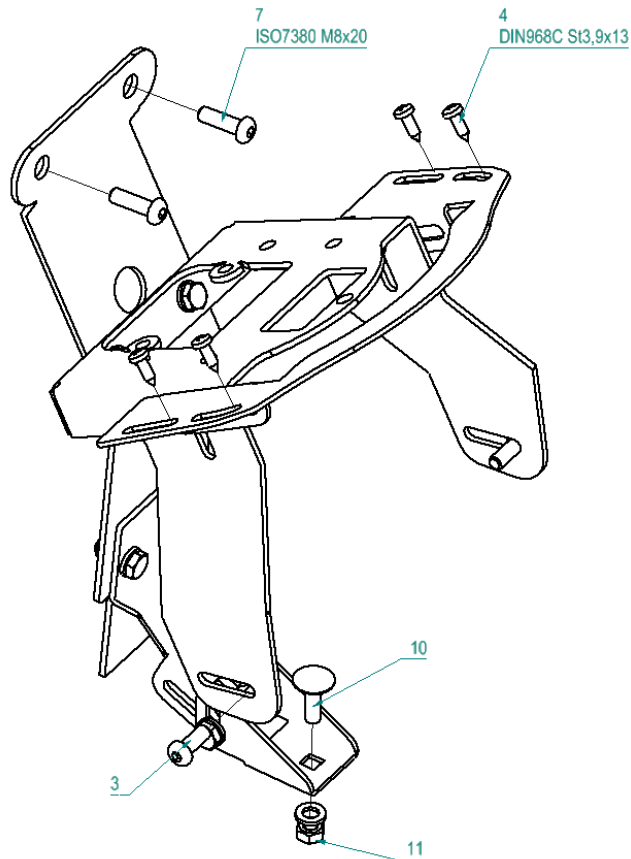
## Fitting the "Special" headlight mask

1. Fasten the bracket to the motorbike with the screws (7).

Tightening torque: 25 - 30Nm

2. Pull the cables through the opening of the bracket and reconnect them to the headlight - additionally for NightRod: insert the adapter cable harness (HD-UNI011) in between. 3.
3. Fix the headlamp with the screws (3). 4.

Secure the mask to the bracket with the screws (4) and fix it at the bottom with the screw (10) and nut (11).



We recommend using a medium-strength screw lock (e.g. LOCTITE 243, blue) for all screws.

## **! Note !**

After mounting, it is necessary to readjust the luminous range:

1. Horizontal line
2. Vertical line
3. 7,6m
4. Height of main beam lamp
5. 53,3mm below height of main beam lamp

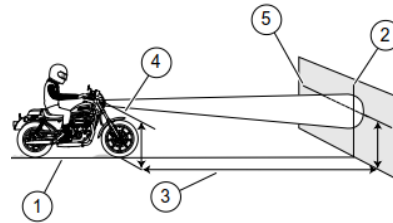


Abb. 1 – mounted headlamp mask



Abb. 2 – Headlamp mask "Special" with holder