

Mounting left

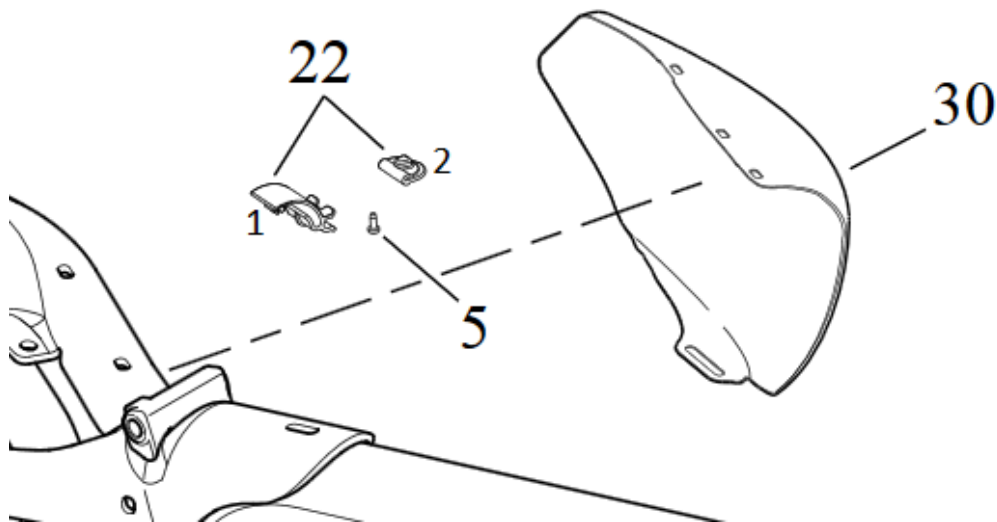
Dismantle the original side cover

1. unclip side cover (30) from fastening (22/1)
2. loosen screw (5), remove fastening (22/2) from side cover (30).

Fitting the "Bobber" side cover

1. Screw the fastening (22/2) onto the side cover with the screw (5).
2. hang in the side cover at the bottom and clip it into the fastening (22/1).

We recommend using a medium-strength screw lock (e.g. LOCTITE 243, blue) for all screws.



Mounting right

Dismantle the original side cover

1. unclip the side cover (21) from the lower fastening (see fig.1), remove the entire cover (21,23,6).

Fitting the "Bobber" side cover

1. hook the side cover onto the upper fastening points (3).
2. clip the cover downwards into the fastening (Fig.1).

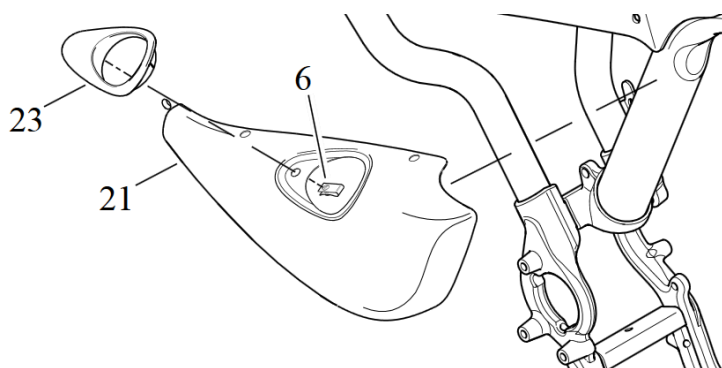
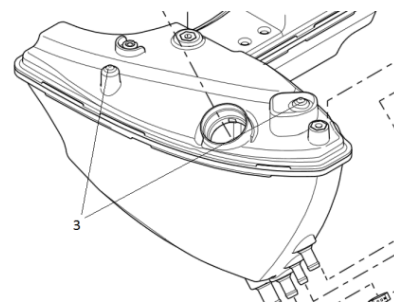


Abb. 1



Abb. 2 – mounted side cover



Abb. 3 – Side cover set "Bobber"